

HI-PTU100-DSG STABILIZED PAN - TILT UNIT

KEY FEATURES

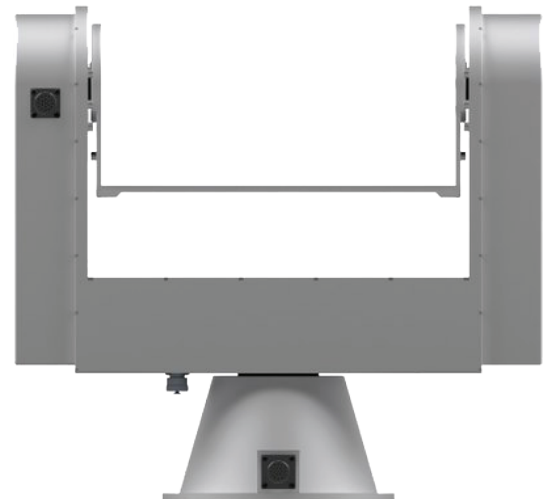
- High precision, real-time payload stabilization
- RS-232, RS-486, Ethernet Communication Interface
- Load capacity 25 pounds (11.3 kg)
- Fast speed response up to 100°/second
- Resolution up to 0.00072° (gearbox design)
- Instantaneous position and speed changes
- Single DC power input (24, 36, 48VDC) suitable for battery
- Lightweight (27.55 lbs - 12.5 kg) & compact design



APPLICATIONS

The HI-PTU100-DSG stabilized pan-tilt unit provides accurate gyro stabilization with a wide range of motion for precise observation and real-time positioning of cameras, lasers and other payloads.

Typical applications include long-range target acquisition for land and navy, and independent outdoor fixed or mobile surveillance.



DUAL-AXIS GYRO STABILIZED PLATFORM MOUNTED SYSTEM FOR SEA, AIR AND GROUND APPLICATIONS

HELLENIC INSTRUMENTS PC

A 101 Leoforo Evelpidon, 19400, Koropi, Greece

T +30 2106021630 **F** +30 210 6620514

E sales@hellenicinstruments.com

Copyright © 2020 -Hellenic Instruments - All rights reserved.
<http://www.hellenicinstruments.com>

*Important Notice: HELLENIC INSTRUMENTS reserves the right to change specification to reflect latest changes in technology and improvements at any time without notice. Export is subject to Greek Government regulations.

HI-PTU100-DSG STABILIZED PAN - TILT UNIT

OVERVIEW

The HI-PTU100-DSG (Dual Stabilization Gyroscopes) offers high precision, user-controlled position and speed movements for payloads up to 25 pounds. Stabilization and real-time control is achieved using precise stepper motors, suitable for intense applications in all weather conditions. A fully integrated design provides unparalleled system reliability and effortless integration to existing systems, minimizing integration and development costs.

SPECIFICATIONS

Payload capacity	25 lbs (11.3 kg)
Pan range of motion	continuous 360° motion with slip ring (user programmable limits available)
Tilt range of motion	+90° to - 90° (user programmable limits available) *Factory configurable also at +45° to -45°, +65° to -65° range
Position resolution (pan/tilt)	0.00072° (pan), 0.00144°(tilt)
Pan / Tilt speeds (min – max)	Up to 100°/sec *depending on payload
Host interfaces	RS-232, RS-485, Ethernet
Payload pass-through wiring	14 x 5Amps (power & signal lines) *Custom options available
Input voltage	24VDC, 36VDC, 48VDC with protection up to 1,000VDC
Power Consumption	2Amps @24VDC continuous
Weight	27.55 lbs (12.5 kg)
Operating Temperature	-30°C to +70°C
Weatherization	IP66
Shock/Vibe	MIL-810F

OPTIONS & ACCESSORIES

Connection cables	Custom Cables, Breakout cables (Top & Bottom connections)
Connector accessories	90° angle connector, Custom Connector Kits
Power Supply Unit	AC 220 - 240V ~50Hz to 24VDC 5Amps

DUAL-AXIS GYRO STABILIZED PLATFORM MOUNTED SYSTEM FOR SEA, AIR AND GROUND APPLICATIONS

HELLENIC INSTRUMENTS PC

A 101 Leoforo Evelpidon, 19400 Koropi, Greece

T +30 2106021630 F +30 210 6620514

E sales@hellenicinstruments.com

Copyright © 2020 -Hellenic Instruments - All rights reserved.

<http://www.hellenicinstruments.com>

*Important Notice: HELLENIC INSTRUMENTS reserves the right to change specification to reflect latest changes in technology and improvements at any time without notice. Export is subject to Greek Government regulations.